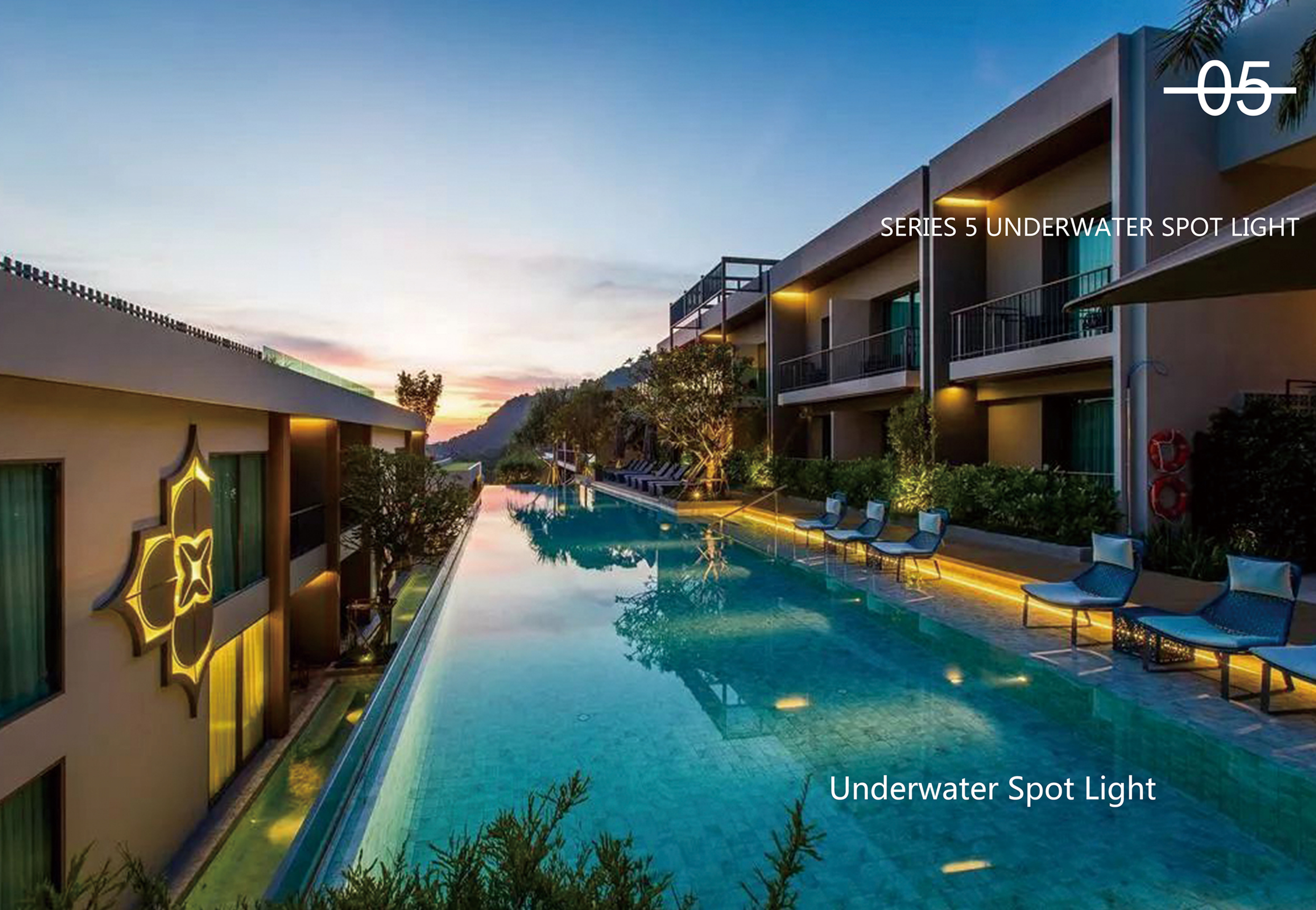


SERIES 5 UNDERWATER SPOT LIGHT



Underwater Spot Light

Completely stainless steel housing & accessory
SUS 304 & 316 are optional



XC-B5A0102



XC-C5A0102

Specifications

Housing : Molding shaped stainless steel

Bracket : Stainless steel

Glass : Step tempered glass T=7mm

Lens : optical lens, efficiency ≥85%

Cable gland : IP-68 PG-11 copper with nickel-coated

LED : TO type power LED

PCB : Excellent heat conductivity aluminum, coefficient of heat ,
Conductivity≥2.0w/mK

Driver : Constant current output Single color led=1-circuit output

RGB3in1 LED=3-circuit output

Application environment : Temperature of water between -20C° ~ -40C° less than 1meter depth

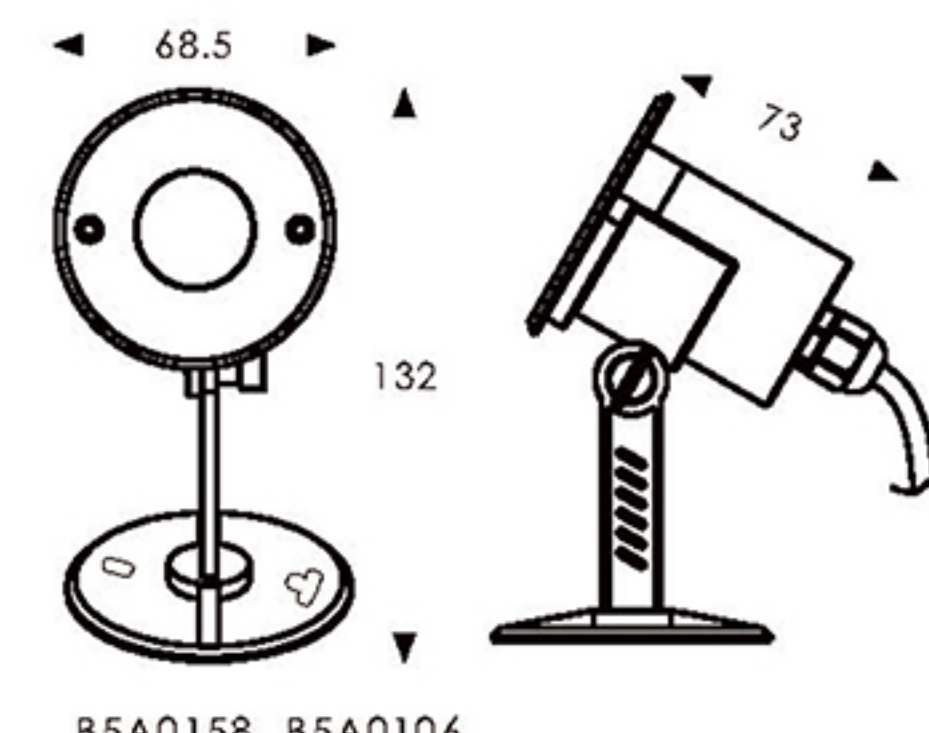
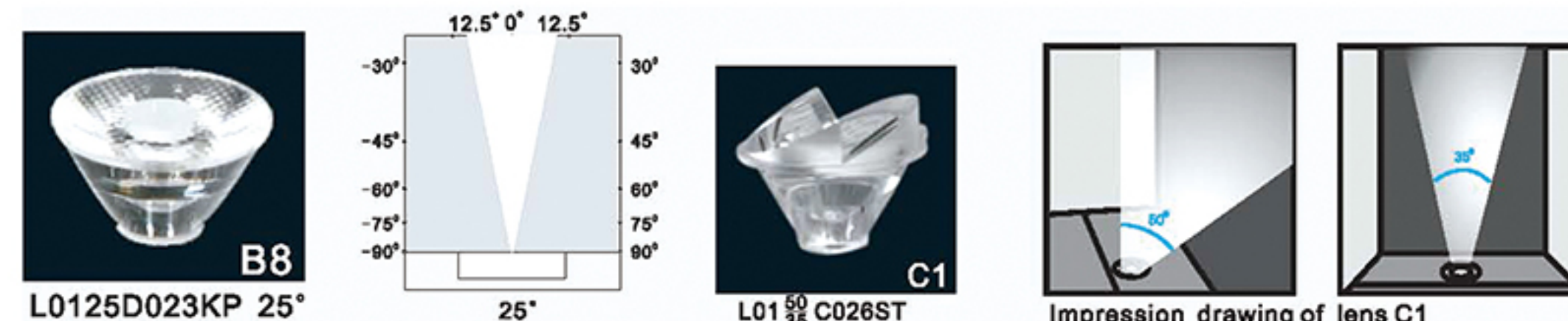
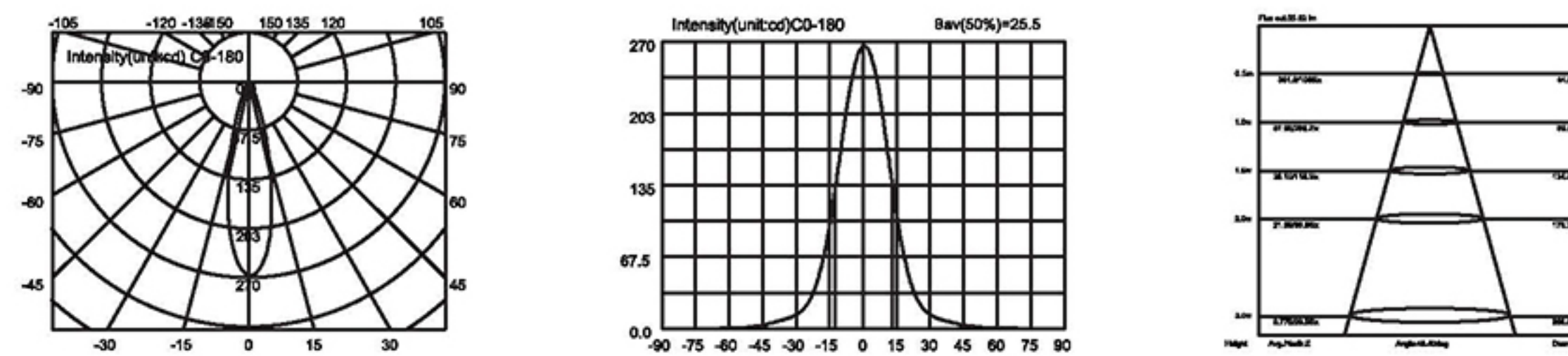
Power cable : H05RN-F 2X1.0mm² L=3m (for Single color)

H05RN-F 4X0.75mm² L=3m (for RGB)

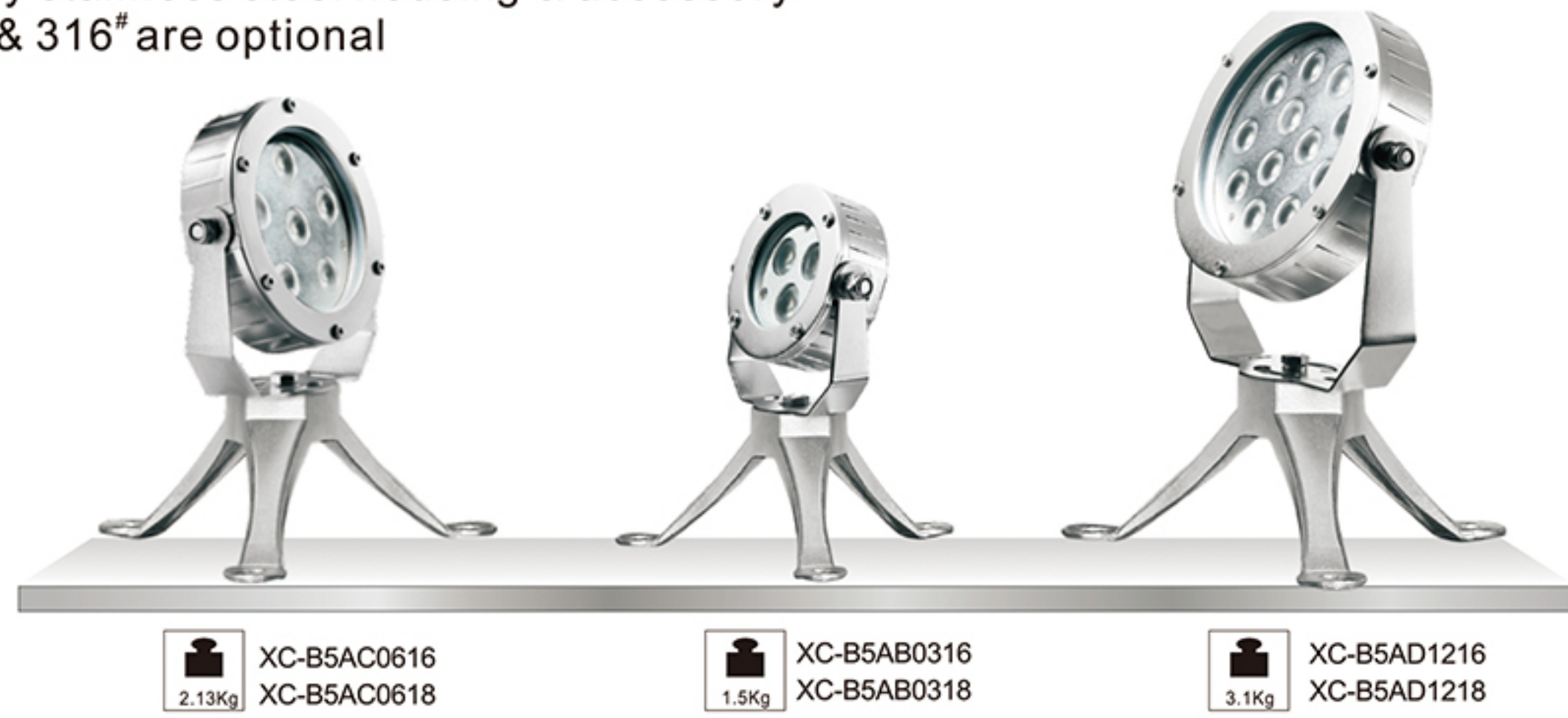
Item NO :	Light Source	Degree(°)	Input voltage(V)	Typical Operating current(mA)	Typical consumption(W)	Typical luminance(Lm)	Ik rate
XC-B5A0102	1X3W	25	24VDC	110	2.6	CW=67 WW=57	06
XC-B5A0106	1X3W RGB3in1	25	24VDC	R=38 G=53 B=54	3.5	R=17 G=30 B=9	06

XC-B5A0102

Graphical representation for XC-B4A0102 cool white light

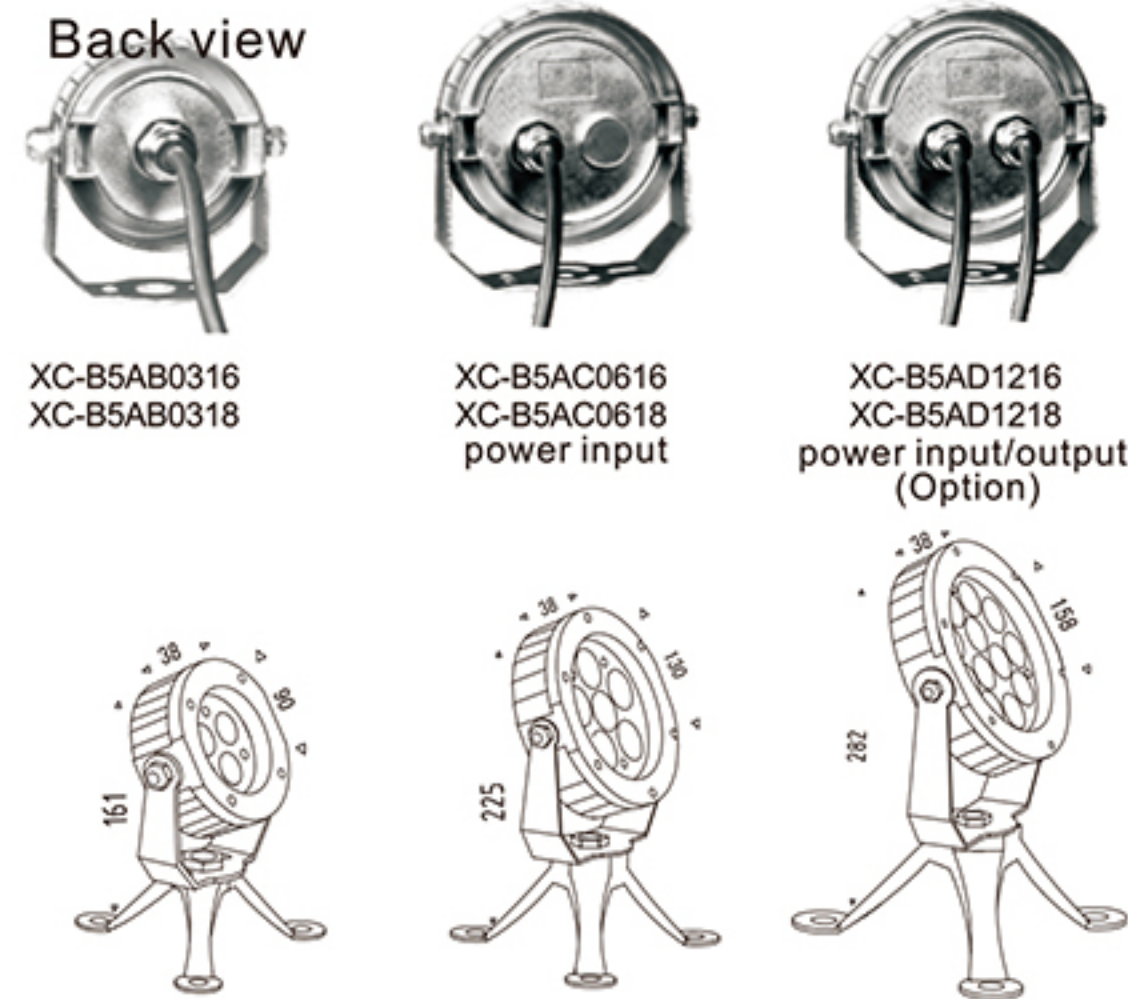


Completely stainless steel housing & accessory
SUS 304# & 316# are optional



Specifications

- Housing: Molding shaped stainless steel housing
- Bracket: Stainless steel
- Tripod: Stainless steel
- Glass: Tempered glass. T=5mm
- Lens: Optical lens, efficiency ≥ 85%
- Cable gland: IP-68 PG-11 copper and nickel coated seal: Molding shaped silicon seal
- LED: TQ type power LED
- PCB: Excellent heat conductivity aluminum, coefficient of heat Conductivity ≥ 2.0w/mk
- Power cable: H07RN-F 2X1.0mm² L=2m (for Single color)
H07RN-F 4X1.0mm² L=2m (for RGB)
- Application environment: Temperature of water between -20°C - 40°C less than 1 meter depth.



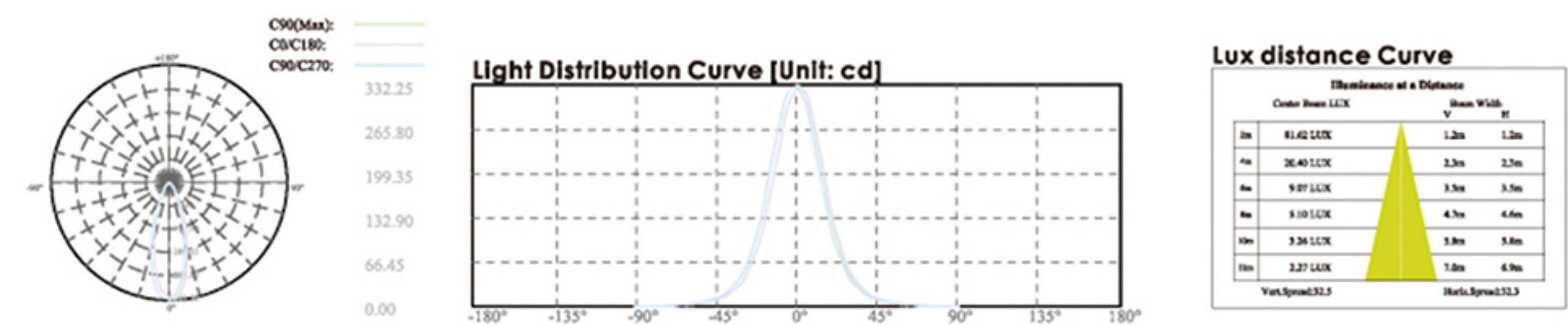
Warning:

This high-power LED housing is all stainless steel. must be installed underwater staying cold to prevent from burning too hot.

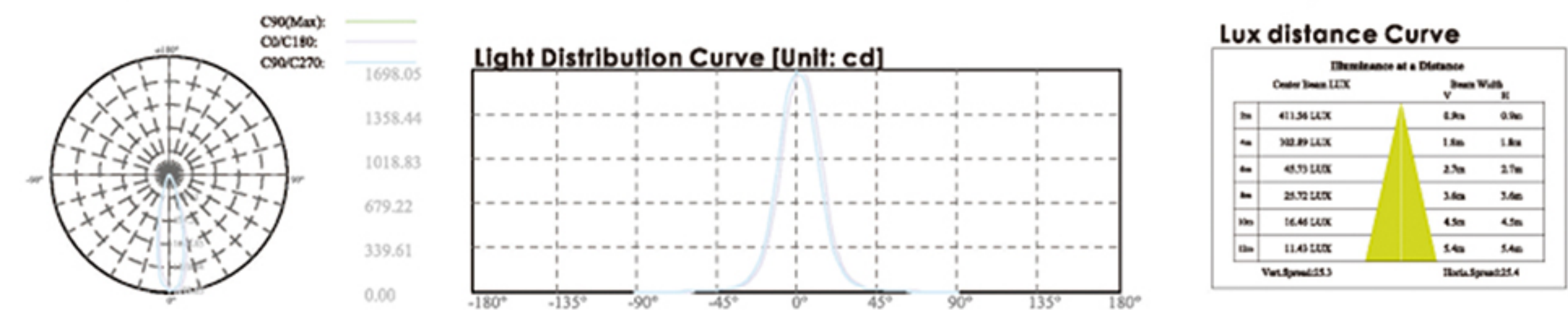
Item NO :	Light Source	Suitable Lens	Lens Beam Angle (°)	Input Voltage(v)	Typical Operating current(mA)	Typical consumption(W)	Typical Luminance(Lm)
XC-B5AB0316	3X2W	L0120C025KP	20	24VDC	24V=240	24V=5.8	Cool white=321 Warm white=274
XC-B5AB0318	3X2W RGB 3in1	L0130D022MS	30	24VDC	R=70 G=124 B=124	R=1.7 G=3 B=3	R=48 G=79 B=20
XC-B5AC0616	6X2W	L0120C025KP	20	24VDC	24V=470	24V=11.2	Cool white=600 Warm white=520
XC-B5AC0618	6X2W RGB3in1	L0130D022MS	30	24VDC	R=125 G=220 B=230	R=3 G=5.3 B=5.6	R=100 G=155 B=45
XC-B5AD1216	12X2W	L0120C025KP	20	24VDC	24V=930	24V=22.3	Cool white=950 Warm white=807
XC-B5AD1218	12X2W RGB3in1	L0130D022ST	30	24VDC	R=250 G=440 B=460	R=6 G=10.6 B=11	R=200 G=310 B=90



Graphical representation for XC-B5AB0316 warm white light



Graphical representation for XC-B5AC0616 warm white light



Completely stainless steel housing & accessory
SUS 304# & 316# are optional



XC-B5W0602
XC-B5W0606



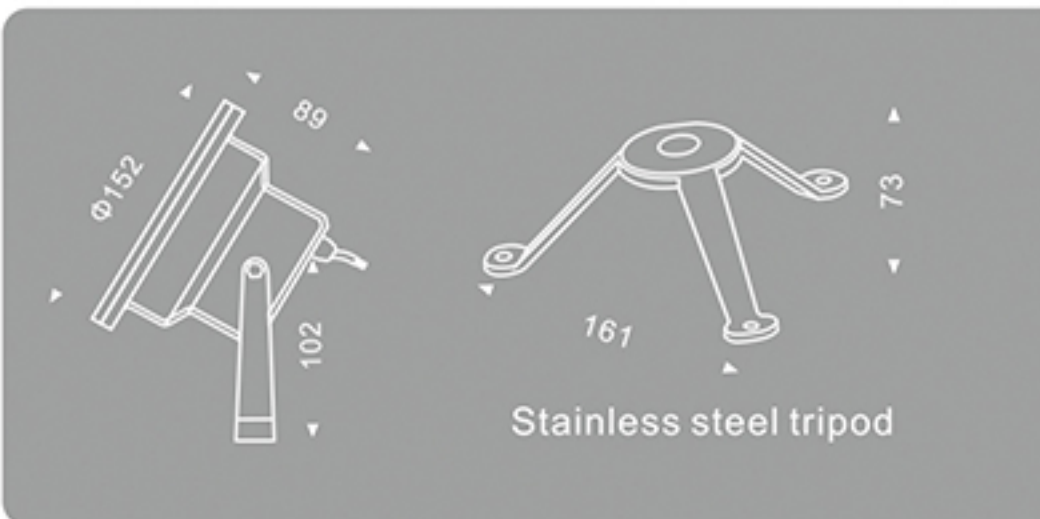
XC-B5W0902
XC-B5W0906



L0115C023ST



L0125D023KP

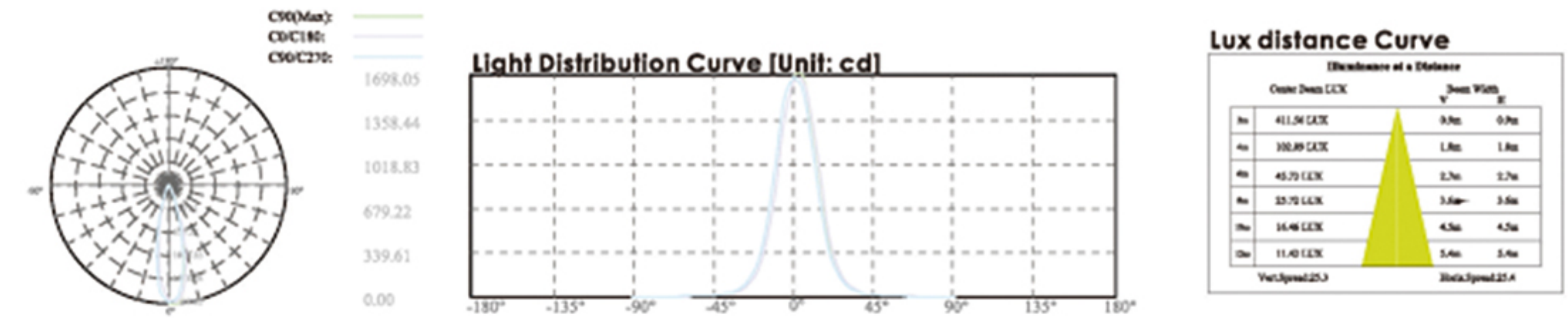


Stainless steel tripod

Specificatipns

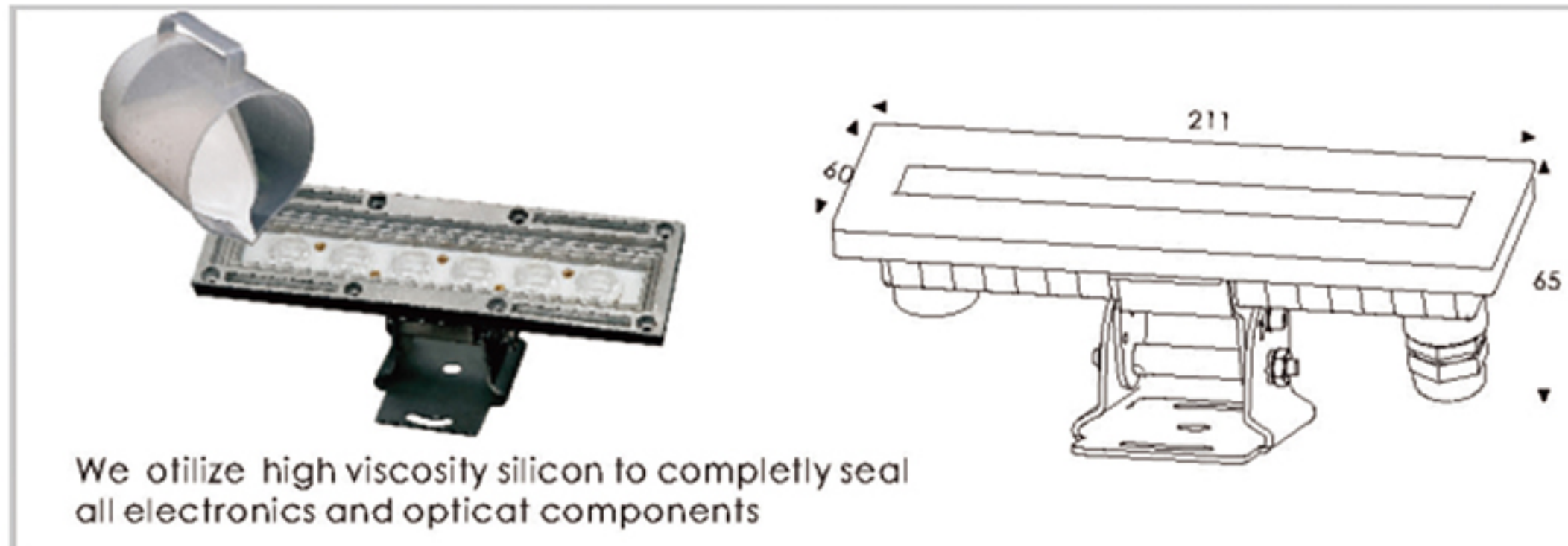
- Housing: Molding shaped stainless steel sus316
- Gasket: EPDM gasket
- Glass: Step tempered glass T=5mm
- Reflector: optical lens, efficiency ≥85%
- Cable gland: IP-68 PG-11 copper with nickel-coated
- PCB: Excellent heat conductivity aluminum, coefficient of heat , Conductivity≥2.0w/mK
- Driver: Constant current output
single color led=1-circuit output
RGB3in1 LED=3-circuitoutput
- Operating temperature: Temperature of water between _20C° C-40°
C less than 1meter depth
- Power cable: H05RN-F 2X0.75mm2 L=2m (24VDC low voltage)
H05RN-F 4X0.75mm2 L=2m (for RGB)
- Mounting sleeve: pvc

Graphical representation for XC-B5W0616 warm white light



Item NO :	Light Source	Degree(°)	Input voltage(V)	Typical Operating current(mA)	Typical consumption(W)	Typical luminance(Lm)	Ik rate
XC-B5W0602	6X3W	25	24VDC	542	13	CW=605 WW=518	08
XC-B5W0606	6X3W RGB3in1	25	24VDC	R=38 G=53 B=54	3.5	R=31 G=67 B=12	08
XC-B5W0902	9X3W	25	24VDC	882	21	CW=820 WW=750	08
XC-B5W0906	9X3W RGB3in1	25	24VDC	R=282 G=460 B=451	28.6	R=218 G=461 B=95	08

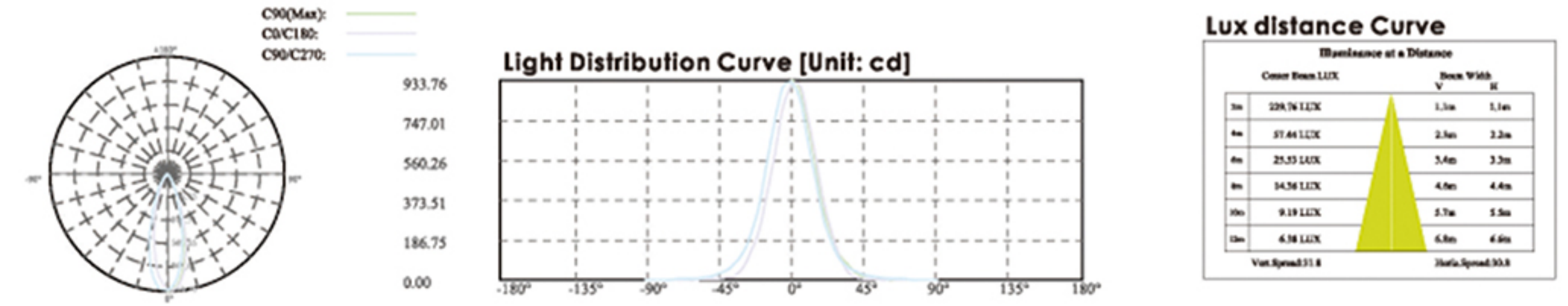
Completely stainless steel housing & accessory



Specificatipns

- Housing: Molding shaped stainless steel sus316
- Gasket: EPDM gasket
- Glass: Step tempered glass T=5mm
- Reflector: optical lens, efficiency ≥85%
- Cable gland: IP-68 PG-11 copper with nickel-coated
- PCB: Excellent heat conductivity aluminum, coefficient of heat, Conductivity≥2.0w/mK
- Driver: Constant current output
single color led=1-circuit output
RGB3in1 LED=3-circuit output
- Operating temperature: Temperature of water between -20C° C-40° C less than 1meter depth
- Power cable: H05RN-F 2X0.75mm2 L=2m (24VDC low voltage)
H05RN-F 4X0.75mm2 L=2m (for RGB)
- Mounting sleeve: pvc

Graphical representation for XC-B5SL0616 warm white light



Item NO :	Light Source	Degree(°)	Input voltage(V)	Typical Operating current(mA)	Typical consumption(W)	Typical luminance(Lm)	Ik rate
XC-B5SL0616	6X3W	30	24VDC	470	12	CW=605 WW=519	08
XC-B5SL0618	6X3W RGB3in1	30	24VDC	R=120 G=250 B=250	15	R=79 G=166 B=43	08